

ANPING XINGYOU
WIREMESH MANUFACTURERS CO., LTD



Palisade Fencing

CATALOG

Fencing System



Tel: +86-15383793340



WhatsApp: +86-15383793340
WeChat: +86-15383793340



www.broprosper.com
cristina@broprosper.com



Palisade Fencing

Palisade fencing is a high security fencing prevailing in Europe, Australia and South Africa markets.

It is designed to be strong, durable and provide excellent protection against climbing and cutting through.

Its imposing appearance, minimal foot holes and robust vertical steel pales ensure its excellent protection against unauthorized access, vandalism and attack.

Besides, it is also a good alternative to high walls.

Typically, it is widely used to address a wide range of perimeter security needs from general purpose to high security purpose and is widely used in various residential, commercial and industrial applications, including but not limited to, highways, airports, docks, schools, sports grounds, leisure facilities, etc.



Category

Fence panel

We have both galvanized and powder coating palisade fencing for your choice. All RAL colors are available.

⊕ Galvanized



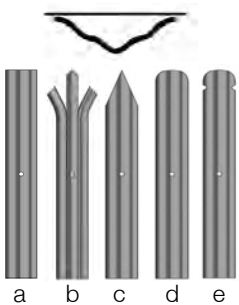
⊕ Powder coating



Pales

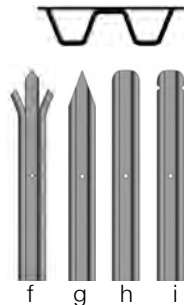
Our palisade fencing can be divided into three types by pale profile, namely, D-section pales, W-section pales and angle steel pales as listed below.

⊕ D-section pales



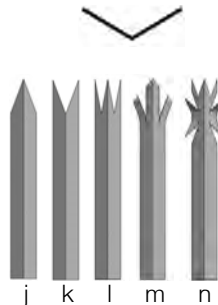
- a. square top;
- b. triple pointed top;
- c. single pointed top;
- d. round top;
- e. round & notch top

⊕ W-section pales



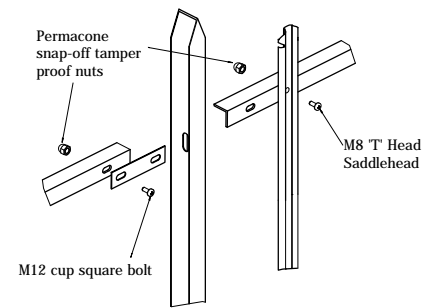
- f. triple pointed top;
- g. single pointed top;
- h. round top;
- i. round & notch top

⊕ Angle steel pales



- j. single pointed top;
- k. double pointed top;
- l. triple pointed top;
- m. triple pointed & splayed top;
- n. triple pointed & spikes top

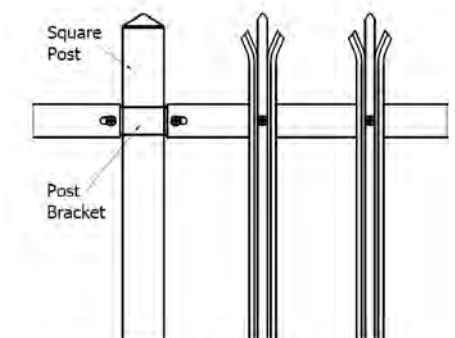
Connection



Assembly Method of I Post



I POST CONNECTION



SQUARE POST CONNECTION

Specification

- > All panel pales are provided in 17 pieces;
- > M8 × 30, M12 × 30 anti-vandal steel or stainless steel bolts are provided;
- > All colors are available in Ral;
- > Other materials and specifications are available upon request.

A Height:
1800 mm, 2100 mm, 2400 mm, 3000 mm

B Width: 2750 mm

C Pale Type: W-profile, D-profile and angle steel

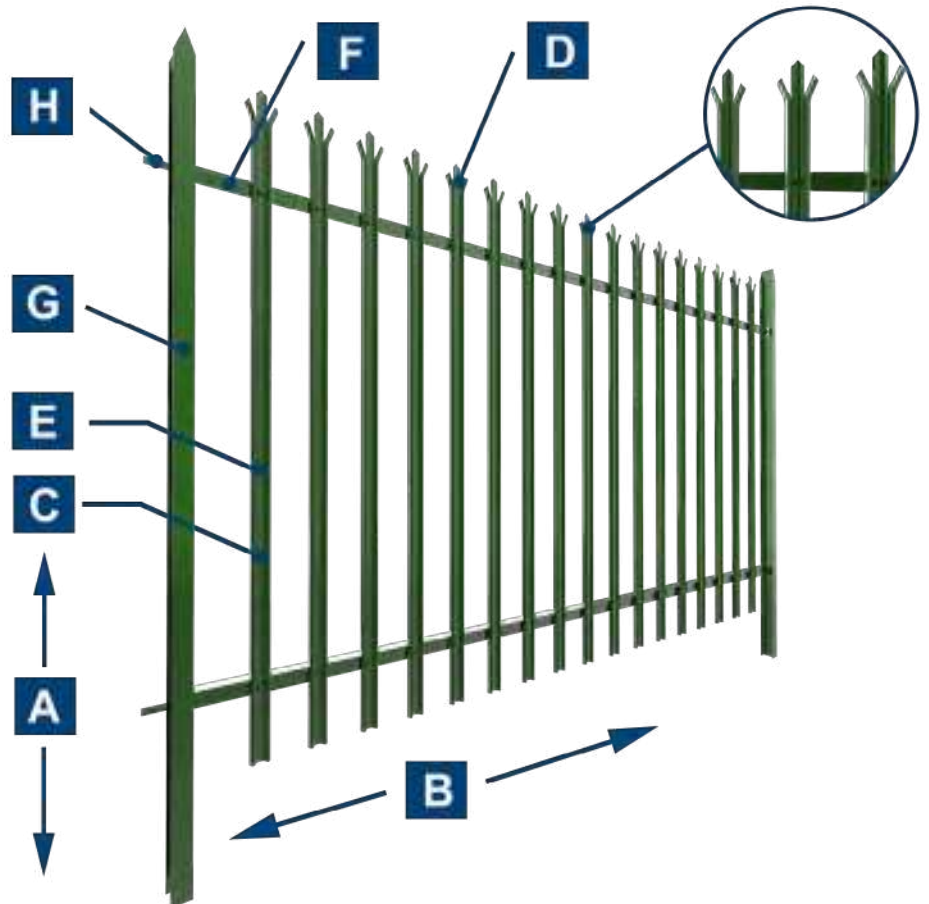
D Pale Top: square top, triple pointed top, single pointed top, round top, round & notch top, etc.

E Pale Thickness: 1.5 mm, 2.0 mm, 2.5 mm, 3.0 mm, 3.5 mm

F Horizontal Rail: angle steel (40 mm × 40 mm × 4 mm, 50 mm × 50 mm × 5 mm, 50 mm × 50 mm × 6 mm)

G Post: square post (60 mm × 60 mm, 80 mm × 80 mm, 100 × 100 mm); I post (100 × 55 mm)

H Connection: fish plate (40 mm × 8 mm × 150 mm)





Specification

⊕ Specification of W-Section Type

Panel Size		W-Section Pale: 62mm, 70mm, 72mm		Horizontal Rail		Post
Height	Width	Pale thickness	Qty: Pale	Angle Steel	Square Post	I Post
1.8 m	2.75 m	2/2.5/3 mm	17 pcs	40 × 40 × 4 mm, 50 × 50 × 6 mm	60 × 60 mm, 80 × 80 mm, 100 × 100 mm	100 × 55 mm
2.1 m	2.75 m	2/2.5/3 mm	17 pcs			
2.4 m	2.75 m	2/2.5/3 mm	17 pcs			
3.0 m	2.75 m	2/2.5/3/3.5 mm	17 pcs			

⊕ Specification of D-Section Type

Panel Size		W-Section Pale: 62mm, 65mm, 70mm		Horizontal Rail		Post
Height	Width	Pale thickness	Qty: Pale	Angle Steel	Square Post	I Post
1.8 m	2.75 m	1.5/2/2.5/3 mm	17 pcs	40 × 40 × 4 mm, 50 × 50 × 5 mm	60 × 60 mm, 80 × 80 mm, 100 × 100 mm	100 × 55 mm
2.1 m	2.75 m	1.5/2/2.5/3 mm	17 pcs			
2.4 m	2.75 m	1.5/2/2.5/3 mm	17 pcs			
3.0 m	2.75 m	1.5/2/2.5/3 mm	17 pcs			



Palisade Fencing Gate

⊕ Palisade fencing single swing gate



Height	1.2 m, 1.5 m, 1.8 m, 2.0 m, 2.2 m, 2.5 m, 3.0 m
Width	0.8 m, 1.0 m, 1.2 m, 1.5 m, 2.0 m
Angle Steel	40 × 40 mm, 50 × 50 mm
Pale Size (W/D)	62 mm, 65 mm, 70 mm
Post (square)	60 × 60 mm, 80 × 80 mm, 100 × 100 mm
Surface Treatment	Hot dipped galvanized, powder coating

⊕ Palisade fence double swing gate



Height	1.2 m, 1.5 m, 1.8 m, 2.0 m, 2.2 m, 2.5 m, 3.0 m
Width	4.0 m, 4.8 m, 6.0 m, 10.0 m
Angle Steel	40 × 40 mm, 50 × 50 mm
Pale Size (W/D)	62 mm, 65 mm, 70 mm
Post (square)	60 × 60 mm, 80 × 80 mm, 100 × 100 mm
Surface Treatment	Hot dipped galvanized, powder coating

⊕ Palisade fencing sliding gate



Height	1.2 m, 1.5 m, 1.8 m, 2.0 m, 2.2 m, 2.5 m, 3.0 m
Width	4.0 m, 4.8 m, 6.0 m, 10.0 m
Angle Steel	40 × 40 mm, 50 × 50 mm
Pale Size (W/D)	62 mm, 65 mm, 70 mm
Post (square)	60 × 60 mm, 80 × 80 mm, 100 × 100 mm
Surface Treatment	Hot dipped galvanized, powder coating



Production Flow Chart

- + Step 1**

.....

Raw materials (galvanized steel coil)
- + Step 2**

.....

Pale profile forming
- + Step 3**

.....

Pale cutting
- + Step 4**

.....

Pale head forming
- + Step 5**

.....

Pale punching
- + Step 6**

.....

Finished pale



Step 1



Step 2



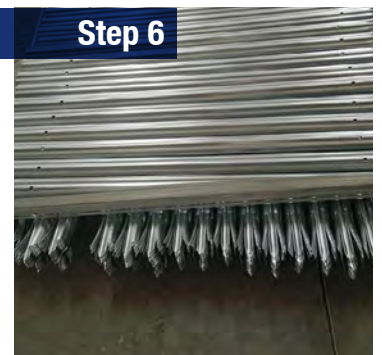
Step 3



Step 4



Step 5



Step 6

Package & Delivery



FENCE PALE PACKAGE



HORIZONTAL RAIL PACKAGE



FENCE DELIVERY



Features & Application

Features

⊕ Excellent resistance to deformation

High tensile fixings and support base offer maximum resistance to deformation.

⊕ Fast & easy installation

Fast and easy installation and less maintenance.

⊕ Match up with most surroundings

A wide range of designs and colors are available to perfectly match up with most surroundings.

⊕ Corrosion & rust resistance

Excellent corrosion & rust resistance and weather resistance performance.

⊕ Against unauthorized access, vandalism and attack

Providing a higher level of security and excellent protection against unauthorized access, vandalism and attack.

Application

Palisade fencing is designed to provide a high level of security for a wide range of outdoor applications and is widely used in schools, commercial buildings, parks, churches, stadiums, railways, yards, companies, etc.



COMMUNITIES



PARKS



PARKING LOTS



GARDENS



RAILWAYS



HIGHWAYS



ANPING XINGYOU

WIREMESH MANUFACTURERS CO., LTD



500 meter east of Datongxin Village,
Donghuangcheng Town, Anping
County, Hengshui City,
Hebei Province, China.



Tel: +86-15383793340



WhatsApp: +86-15383793340
WeChat: +86-15383793340



www.broprosper.com
cristina@broprosper.com

